



SUPER / GREAT

EURO VI

6 x 4

FUSO

*IMAGES ARE FOR ILLUSTRATION PURPOSES ONLY AND MAY VARY FROM ACTUAL VEHICLE.

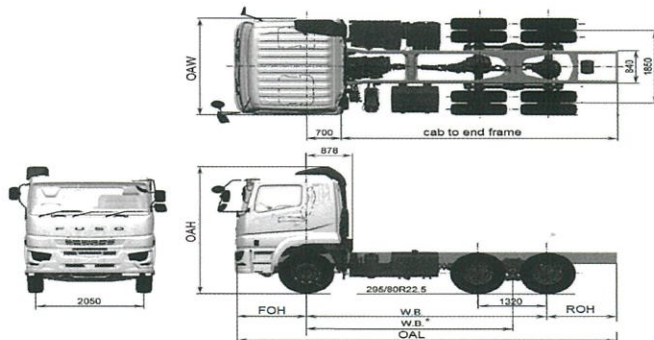
MITSUBISHI FUSO TRUCK & BUS CORPORATION

SUPER GREAT EURO VI

MODEL		FV70HJD2VDEA	FV70HKM2VDEA	FV70HS2VDEA	FV70HSK2VDEA
Type		Forward Control			
Drive system		6 x 4			
Seating capacity		1 driver and 2 passengers			
DIMENSIONS (mm)					
Wheelbase	WB	4,570	4,960		6,530
Theoretical wheelbase	WB*	3,910	4,300		5,870
Overall length	OAL	7,250	7,640		10,795
Overall width	OAW			2,490	
Overall height	OAH			3,200	
Front overhang	FOH			1,370	
Rear overhang	ROH		1,310		2,895
Cab to frame end		5,180	5,410		8,725
Tread	front			2,050	
	rear			1,850	
WEIGHTS (kg)					
Kerb weight		8,030	8,160	8,450	8,420
	front	4,670	4,450	4,560	4,500
	rear	3,360	3,730	3,890	3,920
Max G.V.W.				28,000	
Axle rating	front			8,000	
	rear			26,000	
PERFORMANCE					
Max speed	km/h	60 (with Speed Limiter)			
Max gradeability @ G.V.W	(tan Θ) %	49			
Min turning radius	m	7.0	7.5		9.5
ENGINE					
Model		OM470LA			
Type		4 Stroke-Cycle, Turbocharged, Water Cooled Direct Injection Diesel Engine			
No. of cylinder		6 in-line			
Bore and stroke	mm	125 x 145			
Compression ratio		18.5			
Piston displacement	cm ³	10,677			
Max output power	kW(PS) / rpm	290 (394) / 1,600			
Max torque	Nm (kgfm) / rpm	2,000 (203) / 1,100			
Generator / Alternator		24V, 100A			
DRIVE LINE					
Transmission	model	G230-12 Automated (AMT)			
	type	12 forward & 2 reverse			
CHASSIS					
Axle	front	Reverse Elliot, 'I' beam type			
	rear	Full floating type			
Tire	front, single	295 / 80R22.5			
	rear, dual	295 / 80R22.5			
Steering		Ball nut type with integral type hydraulic power booster. Telescopic and tilt steering column with steering lock.			
Suspension	front	Long taper leaf springs with shock absorbers			
	rear	Laminated leaf springs			
Brake system	service	Full air, dual circuit with ABS, ASR, EBS, Hill Start Assist			
	parking	Parking brake on wheels			
	auxiliary	Exhaust brake (PowerTard)			
Electrical system (batteries)		24V (2 x 12V 120Ah)			
Fuel tank capacity	litres	350		400	

Note :

1. Kerb weight shown are subject to 3.5% variation to allow for production tolerance.
2. These specification are subject to change without prior notice, please contact your local FUSO Dealer for detailed specification and equipment available in your market.
3. Actual specifications and colors may vary from illustration.



Approach our sales representative to view the full contents on iPad.

